



## RAPID-TORC® RTX Serie

*If you can fit just with a slugging wrench, you will fit with our Low Profile RTX !*

### Low Clearance RTX Series...wherever you cannot fit!

THE RIGHT TOOL FOR ALL YOUR CONFINED AREAS

#### Key Benefits:

- **6 Models from 167 ft-lbs up to 31,000 ft-lbs**
- **Large Choice of Ratchet Links in 1/16" increments**
- **Four Mechanical moving parts (Hand-Free operations)**
- **One Way Ratchet System for a Single Operator "Hands Free Operation"**
- **Double Acting Operation**
- **Automatic "Ratchet Link-Piston Rod End" Attachment**
- **Low profile for Ratchet link and Power-Head**
- **Snap-in, Interchangeable Ratchet Link. No tools required.**
- **Very high ratio Torque to weight**
- **Constant maximum torque value for each model no matter the hex size**
- **Tight Radius Ratchet Link**
- **Strong Unibody Design**
- **Anti Side Load Resistant Link Design**
- **In Line Reaction Pad for maximum strength**
- **Robust Double Tooth Ratchet Mechanism**
- **Never-Lock Torque Mechanism**
- **Uni-Swivel Multi Axis 360°x180°**
- **Housing made of Aircraft Quality Aluminum**
- **Output Accuracy certified at +/- 3%**
- **Repeatability certified at +/- 1%**
- **Heavy duty finish for a Fully Corrosion resistance**
- **CE approved**



#### Accessories available:

Hexagonal inserts reducers

Adapter male hex. to male square drive

Impact sockets

Large choice of reaction arms



# RAPID-TORC

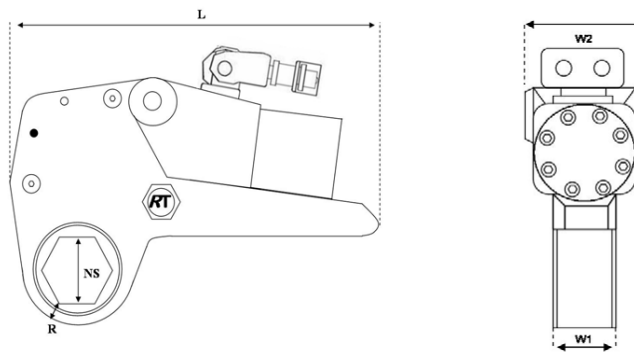
B I G N U T S - B I G T O O L  
WWW.RAPIDTORC.COM



## RAPID-TORC® RTX Serie

Modèles		RTX-2	RTX-4	RTX-8	RTX-14	RTX-30
Hexagone Conducteur	Inch	3/4"-2 9/16"	1"-3 1/2"	1 5/8"-4 1/8"	2 1/2"-5 3/8"	3 1/2"-6 1/2"
	mm	19-65	25-85	46-110	60-135	90-165
Couple Minimum	Ft-lbs	255	580	1143	2010	4770
	Nm	346	786	1549	2725	6466
Couple Maximum	Ft-lbs	1710	3855	8151	13400	31800
	Nm	2318	5226	11049	18165	43108
L	inch	7,20	9,76	12,12	14,64	16,02
	mm	183	248	308	372	406
NS	inch	3/4"-2 9/16"	1 5/16"-3 1/8"	1 13/16"-3 7/8"	2"-4 5/8"	3 9/16"-6-1/2"
	mm	19-65	32-80	46-100	50-120	90-165
R	inch	0,35	0,47	0,59	0,72	0,87
	mm	9	12	15	18,5	22
W1	inch	1,26	1,65	2,08	2,48	3,26
	mm	32	42	53	63	83
W2	inch	1,92	2,56	3,22	3,89	5,28
	mm	49	65	82	99	132
Poids*	Lbs	4,8	10,8	22	38,5	86
	Kg	2,2	4,9	10	17,5	39

\*Poids moyen avec 1 cartouche



## Reaction arms - accessories

