



RAPID-TORC®

B I G N U T S - B I G T O O L S®
WWW.RAPIDTORC.COM

PRESENTS

2009 ALL-STARS

LOW PRO SUPERSTAR



RTX SERIES

LOW PROFILE SUPERSTAR

RAPID-TORC is an International Corporation, based in Houston, TX and Brussels, Belgium. Leader in the Bolting market, the company designs, manufactures and distributes high quality hydraulic torque wrenches, bolt tensioners and induction heating systems and delivers value-added technical services to customers worldwide.




RTX Series features

- Six models from 167 ft-lbs. up to 31,000 ft-lbs.
- Maximum torque value, regardless of hex size
- Repeatability at +/- 1%
- Certified accuracy at +/-3%



MADE IN THE USA



Automatic attachment between powerhead and ratchet link
Time-saving design

High strength aluminum post,
10k psi working pressure
Full operator safety

Multi-axis swivel
360°X180°, operator can forget about hose placement and concentrate on application

Innovative coupler placement
Protects housing from possible thread damage

AQR51 T6 Aluminum housing
Allows highest power-to-weight ratio in its category

In-line reaction pad
Dramatically increases rigidity and strength

High strength 4340 steel alloy
Allows us to produce a tool with a very reduced radius while maintaining high strength

Amazingly low profile and tight radius
Operator no longer has to switch to a slugging wrench for low clearance areas

One-way ratchet mechanism
Allows hands-free operation

Available accessories: Hex Drive, In-out Socket, Hex Insert, Special Pad

ALCO Arm

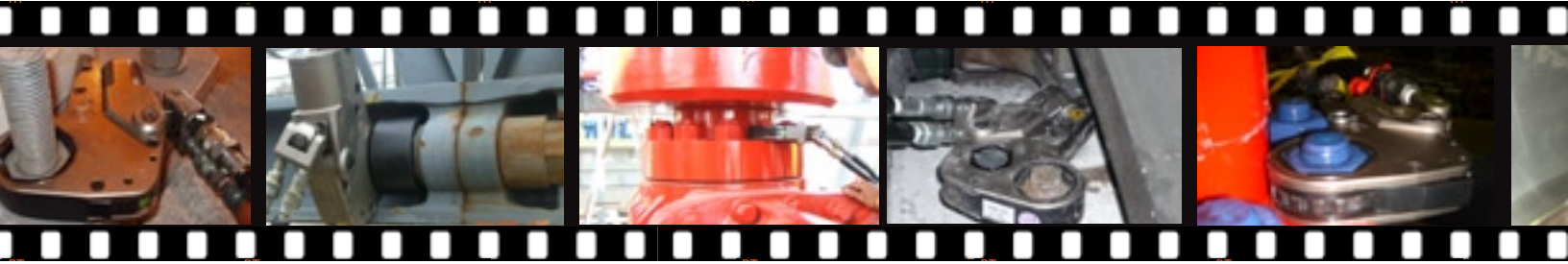


On side reaction pad



Hex inserts





Advantage: One powerhead for different sized links and the greatest size range available.

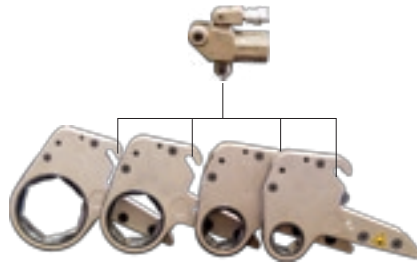
Take advantage of RT Series full potential with these ideally matched products.



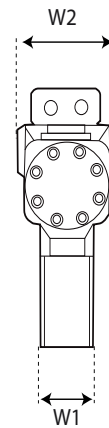
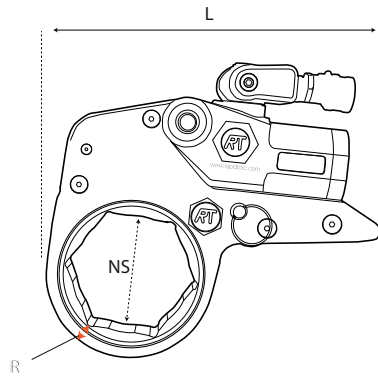
High strength backup wrenches provide the operator with more control and saves time.



Use up to four wrenches at once with our hydraulic power packs. Allows you to work faster and more efficiently.



RTX Series technical specifications:



Model	Ratchet Link Hex Size		Torque				Weight		Dimensions									
			Ft-lbs		Nm				L		NS		R		W1		W2	
	in	mm	min	max	min	max	lbs	kg	in	mm	in	mm	in	mm	in	mm	in	mm
RTX-2	3/4 - 2 3/4	19-65	255	1710	346	2318	4.5	2	7.2	183	3/4 - 2 9/16	19-65	0.35	9	1.26	32	1.92	49
RTX-4	1" - 3 1/8	25-85	580	3855	786	5226	9.7	4.4	9.7	248	1 5/16 - 3 1/8	32-80	0.47	12	1.65	42	2.56	65
RTX-8	1 5/8 - 4 1/8	46-105	1143	8151	1549	11049	19.5	9	12.1	308	1 13/16 - 3 7/8	46-100	0.59	15	2.08	53	3.22	82
RTX-14	2 1/2 - 5 3/8	60-135	2010	13400	2725	18165	33	15	14.6	372	2 - 4 5/8	50-120	0.72	18.5	2.48	63	3.89	99
RTX-18	3 1/2 - 5 1/2	75-140	2676	17845	3628	24191	51	23	15.5	393	3" - 5 1/2	75-140	.87	22.2	2.75	70	4.37	111
RTX-30	3 1/2 - 6 1/2	90-165	4770	31800	6466	43108	78	35.5	18	457	3 9/16 - 6 1/8	90-155	1	25.4	3.26	83	5.28	132



RAPID-TORC, INC
715 Bradfield
Houston, TX 77060
USA

Phone: (281) 448-5900
Fax: (281) 260-0779

RAPID-TORC, S.A.
Avenue Louise, 306
B-1050 Brussel
Belgium

Tel: +32 2 358 1933
Fax: +32 2 358 5066

www.rapidtorc.com
sos@rapidtorc.com