



RAPID-TORC®

B I G N U T S - B I G T O O L S®
WWW.RAPIDTORC.COM

PRESENTS

2009 ALL-STARS

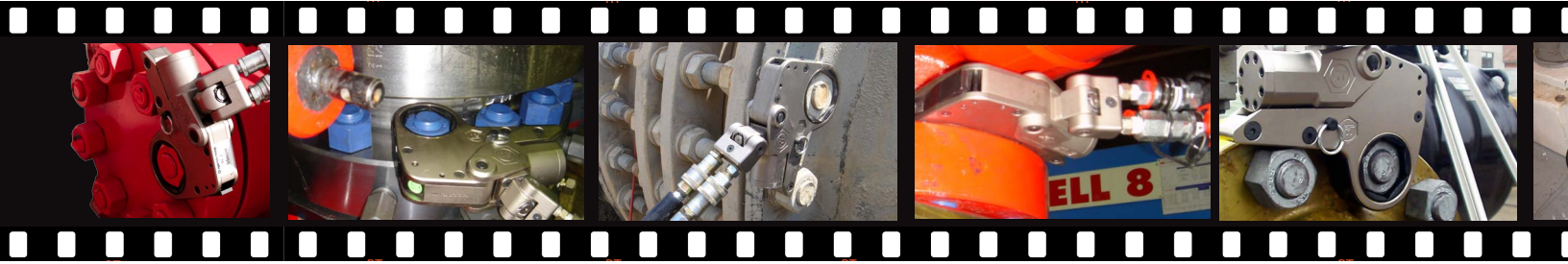
BACKSTAGE OPERATOR



BACKUP WRENCH

WE'VE GOT YOUR BACK™

RAPID-TORC is an International Corporation, based in Houston, TX and Brussels, Belgium. Leader in the Bolting market, the company designs, manufactures and distributes high quality hydraulic torque wrenches, bolt tensioners and induction heating systems and delivers value-added technical services to customers worldwide.



Backup Wrench features:

- Fits on all flanges, including API 6A
- Easy to use. Instantly gets off the nut with a single turn of the T-screw
- Available for any size up to 5" AF
- Drastically improves safety



12 point fits standard hex nuts
*Breeze through your entire application
with one backup wrench*

Alloy steel construction
*High quality material avoids
tool failure*



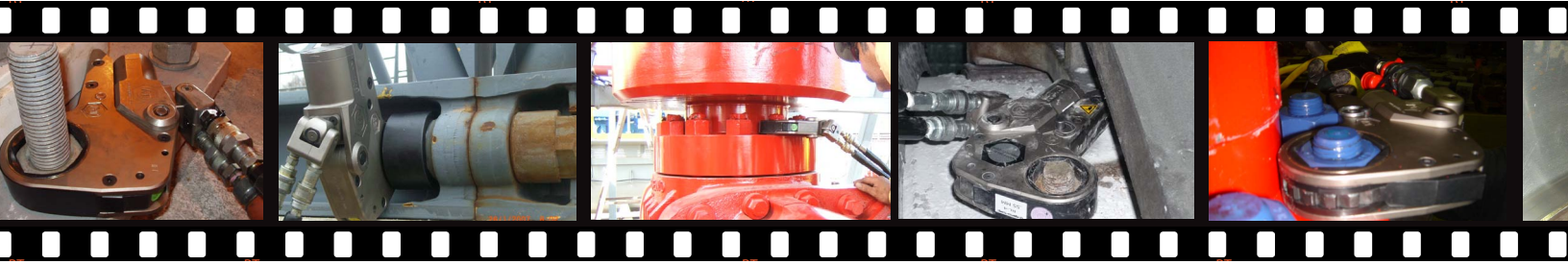
Simple T-screw operation
*Easily remove by twisting the top
screw. No hammers needed*

Thin profile
Adjusts to any application

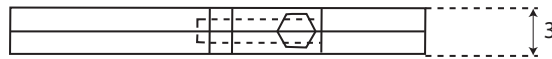
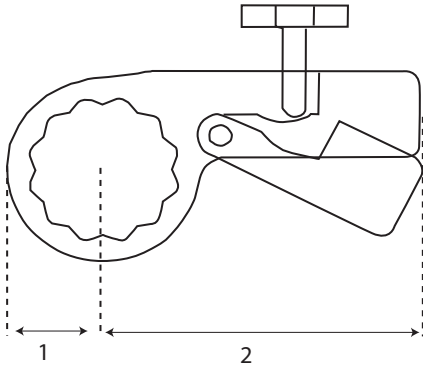
Safety: Our first goal

High strength axis
Heat treated for your safety





Backup Wrench technical specifications:



Use the backup wrench in conjunction with our high powered tools.



RTX Series



RT Series

Part number	Hex Size	Dimensions (in inches)		
		1	2	3
BK14	7/8"	.95	4.68	"
BK101	1 1/16"	.95	4.68	"
BK104	1 "	.95	4.68	"
BK107	1 7/16"	1.13	5.25	"
BK110	1 5/8"	1.24	5.25	"
BK113	1 13/16"	1.35	5.25	"
BK200	2"	1.45	5.25	"
BK203	2 3/16"	1.56	5.25	"
BK206	2 3/8"	1.67	5.25	"
BK209	2 9/16"	1.88	7	1"
BK212	2 "	1.99	7	1"
BK215	2 15/16"	2.19	7	1"
BK302	3 1/8"	2.20	7	1"
BK308	3 "	2.62	10.5	1 "
BK314	3 7/8"	2.84	10.5	1 "
BK401	4 1/16"	2.96	10.5	1 "
BK404	4 "	3.05	10.5	1 "
BK410	4 5/8"	3.27	10.5	1 "
BK415	4 15/16"	3.54	12.2	2 "
BK-500	5"	3.69	14	2 "



RAPID-TORC, INC
715 Bradfield
Houston, TX 77060
USA

Phone: (281)448-5900
Fax: (281)260-0779

RAPID-TORC, S.A.
Avenue Louise, 306
B-1050 Brussels
Belgium

Tel: +32 2 358 1933
Fax: +32 2 358 5066

www.rapidtorc.com
sos@rapidtorc.com