



RAPID-TORC®

B I G N U T S - B I G T O O L S®
WWW.RAPIDTORC.COM

PRESENTS

2009 ALL-STARS

THE SPECIALIST



RAPIDGUN

THE SPECIALIST PNEUMATIC WRENCH


RAPID-TORC is an International Corporation, based in Houston, TX and Brussels, Belgium. Leader in the Bolting market, the company designs, manufactures and distributes high quality hydraulic torque wrenches, bolt tensioners and induction heating systems and delivers value-added technical services to customers worldwide.

POWERFUL AND HANDHELD.

RG Series features



- Produces torque over 6,800Nm/5000 ft. lbs
- Extremely quiet, produces noise at only 75db
- Low vibration at only 2.5m/s²
- Tooling accuracy guaranteed within +/-5%



Patented planetary design
Unmatched design for torque delivery

Durable casing
Will withstand years of service

Ergonomic handle
The handle was designed to allow easier handling of the tool

3 square drive size available (3/4", 1" and 1 1/2")
Most common sizes in stock for quick delivery

Easy-to-use Forward/Reverse
Speeds up work pace thanks to placement of the forward/reverse function

Standard reaction arm
The standard reaction arm is included with your purchase...it is highly durable

Soft-start trigger
Avoids operator exhaustion with this 'feather touch' feature

Available accessories: Specialized Reaction Arms:

Double ended reaction arm



Blank reaction arm



Double blank reaction arm



RAPIDGUN IS THE HANDHELD SOLUTION FOR TORQUING NEEDS.

We know you need to keep your tool, hoses and sockets all in one place. We give you:

The RapidGun has a variety of uses, such as pre-torquing. Don't know if this is the right tool for your application? Contact us about your particular need. We have the answers.

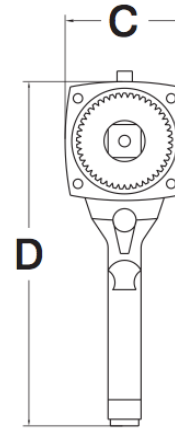
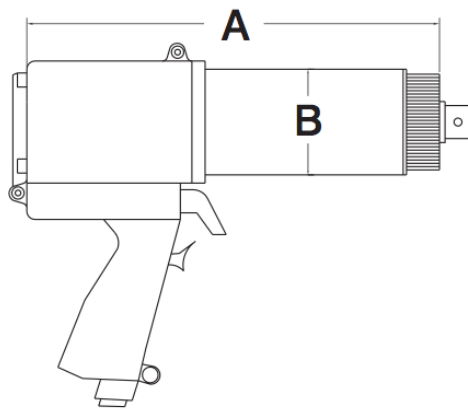


RG shown here pretorquing.

RAPIDGUN carrying case increases the portability of your machine. It comes standard



RG Series technical specifications:



Model	Square Drive	Torque		RPM	Dimensions						Weight	
		Min-Max			a		b		c		kg	lbs
		Nm	Ft.lbs		mm	in	mm	in	mm	in		
RG-1100	3/4"	200-1100	150-800	30	196	7.7	72	2.8	83	3.3	4.3	9.5
RG-2400	1"	700-2450	500-1800	10	228	9.0	76	3.0	83	3.3	5.6	12.5
RG-4000	1"	1400-4050	1000-3000	14	335	13.2	78	3.1	93	3.7	9.2	20.5
RG-6800	1 1/2"	2000-6800	1500-5000	7	353	13.9	101	4.0	93	3.7	12.7	28.0



RAPID-TORC, INC
715 Bradfield
Houston, TX 77060
USA

Phone: (281) 448-5900
Fax: (281) 260-0779

RAPID-TORC, S.A.
Avenue Louise, 306
B-1050 Brussel
Belgium

Tel: +32 2 358 1933
Fax: +32 2 358 5066

www.rapidtorc.com
sos@rapidtorc.com