



RAPID-TORC®

B I G N U T S - B I G T O O L S®
WWW.RAPIDTORC.COM

PRESENTS

2009 ALL-STARS



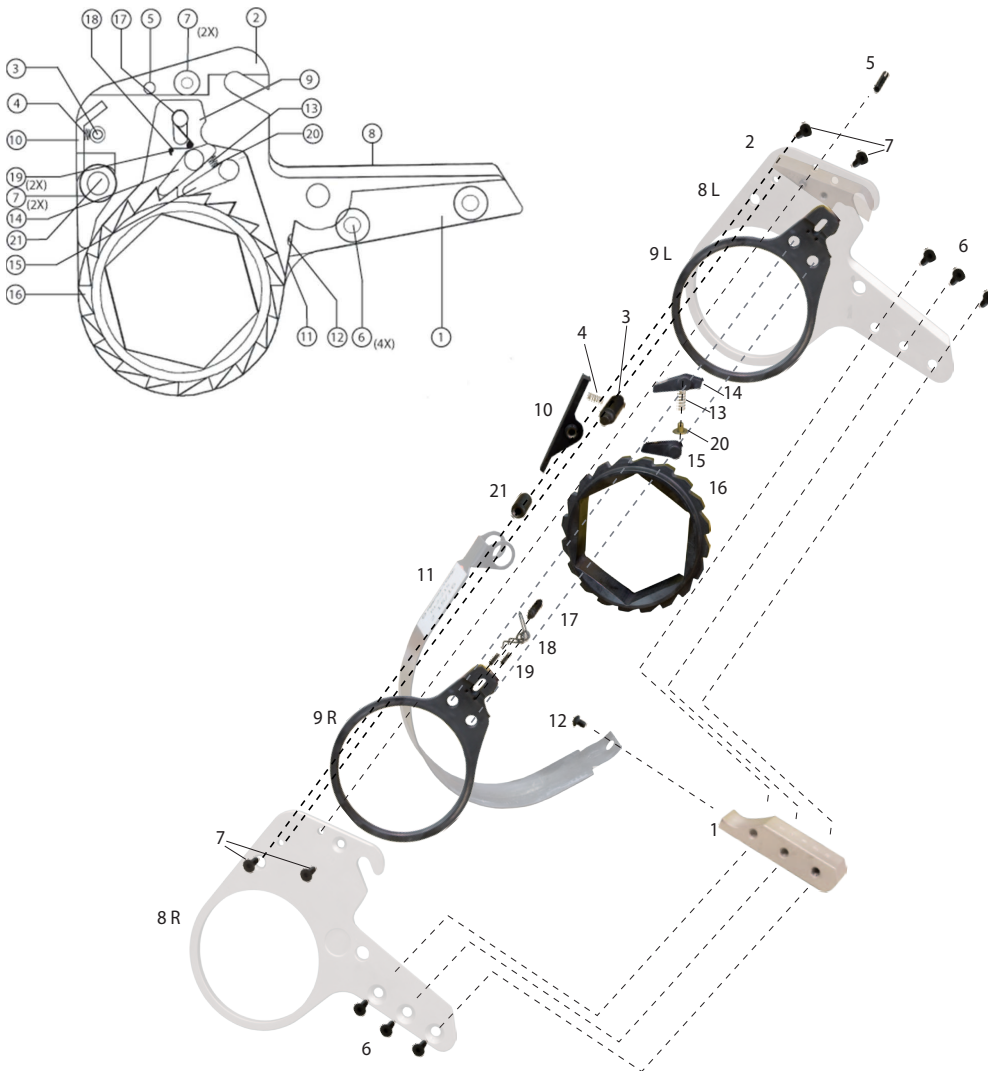
RTX SERIES

SPARE PARTS GUIDE

RAPID-TORC is an International Corporation, based in Houston, TX and Brussels, Belgium. Leader in the Bolting market, the company designs, manufactures and distributes high quality hydraulic torque wrenches, bolt tensioners and induction heating systems and delivers value-added technical services to customers worldwide.

HAVE QUESTIONS ABOUT WHAT SPARE PART YOU NEED?

RL Ratchet spare parts:



	Description	Part Number
1	Reaction Block Spacer	RTX-#45
2	Top Spacer	RTX-#46
3	Reaction Pawl Spring Spacer	RTX-#47
4	Reaction Pawl Spring	RTX-#37
5	Side Plate Roll Pin	RTX-#48
6	Side Plate Screw Bottom (4)	RTX-#50
7	Side Plate Screw Top (4)	RTX-#51
8	Side Plate (left or right)	RTX-#52
9	Drive Plate (left or right)	RTX-#35
10	Reaction Pawl	RTX-#36
11	Shroud	RTX-#43
12	Shroud Screw	RTX-#44
13	Drive Pawl Spring	RTX-#27
14	Drive Pawl Primary	RTX-#22
15	Drive Pawl Secondary	RTX-#23
16	Ratchet	RTX-#28
17	Drive Pin	RTX-#33
18	Drive Pin Spring	RTX-#34
19	Drive Spring Roll Pin	RTX-#32
20	Spring Seat	RTX-#49
21	Reaction Pawl Pin	RTX-#99

You may need more than just spare parts. Add versatility to your machine with these quality accessories.



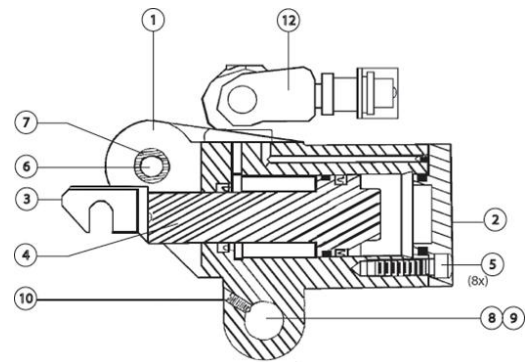
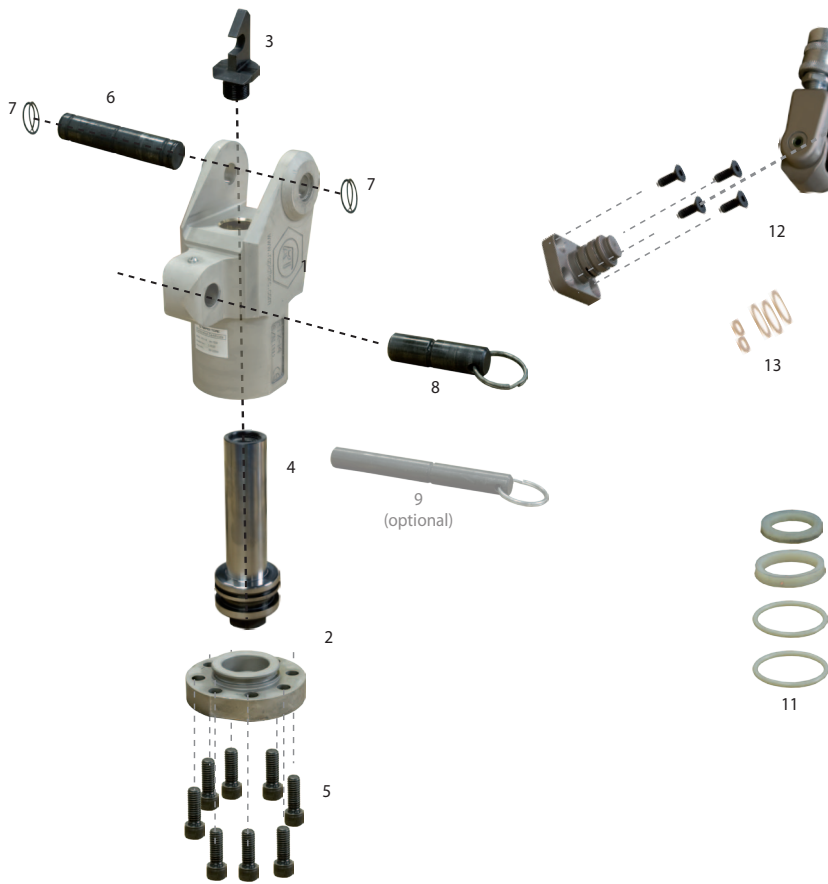
Work up to four hydraulic torque wrenches with our four-port manifold, multi-stage pump.



Quick connect couplers allow faster setup.

WE'RE HERE TO HELP. CONTACT US WITH ANY QUESTIONS YOU HAVE.

RTX Powerhead spare parts:



	Description	Part Number
1	Housing	RTX-#-01
2	End Cap	RTX-#-02
3	Rod End	RTX-#-05
4	Piston Rod Assembly	RTX-#-06
5	Cylinder End Cap Screws	RTX-#-07
6	Fixed Upper Pin	RTX-#-08
7	Fixed Upper Pin Ring (2)	RTX-#-09
8	Link Pin Short	RTX-#-10
9	Link Pin Long (optional)	RTX-#-11
10	Link Pin Retainer	RTX-#-12
11	Housing Seal Kit	RTX-#-13
12	Swivel Assembly 180 X 360	RTX-#-62
13	Swivel Seal Kit	RTX-#-63



Extended reaction arm for greater reaction points.



On side reaction pad for those hard to reach applications with reduced reaction points.



RAPID-TORC, INC
715 Bradfield
Houston, TX 77060
USA

Phone: (281)448-5900
Fax: (281)260-0779

RAPID-TORC, S.A.
Avenue Louise, 306
B-1050 Brussels
Belgium

Tel: +32 2 358 1933
Fax: +32 2 358 5066

www.rapidtorc.com
sos@rapidtorc.com