



Hydraulic Bolt Tensioner TRT

Patent pending

The Ultimate bolt tensioning solution for all flanges API/ANSI !

Made in USA from high strength AISI 4340 steel components for long lasting performance

Designed specifically for all Oil & Gas applications



- Fit all standard API, ANSI B16.5 & Compact flanges.
- Special Series concepts for all B7, L7 & B16 studs bolts
- Light-weight, compact and versatile line of tensioners
- Safety First: Overpressure and Overstroke full protection
- Operates at a maximum pressure of 21,750 psi / 1500 bar
- Can be pressurized with Rapid-Torc Water Mix (ISO14000).
- Visible Piston Stroke indicator for all models
- Time saver: All models are able to stroke 15mm
- Floating piston for small alignment compensation
- All sizes Bolt coverage from 1" to 4"
- Interchangeable adapter kits for Metric and Imperial sizes.
- Fit all upside down applications

Strong spring Return Piston reduces operator fatigue & shrinks operation time



All Data engraved for easy identification

Anti-slip tool surface improves operator grip and increases safety.





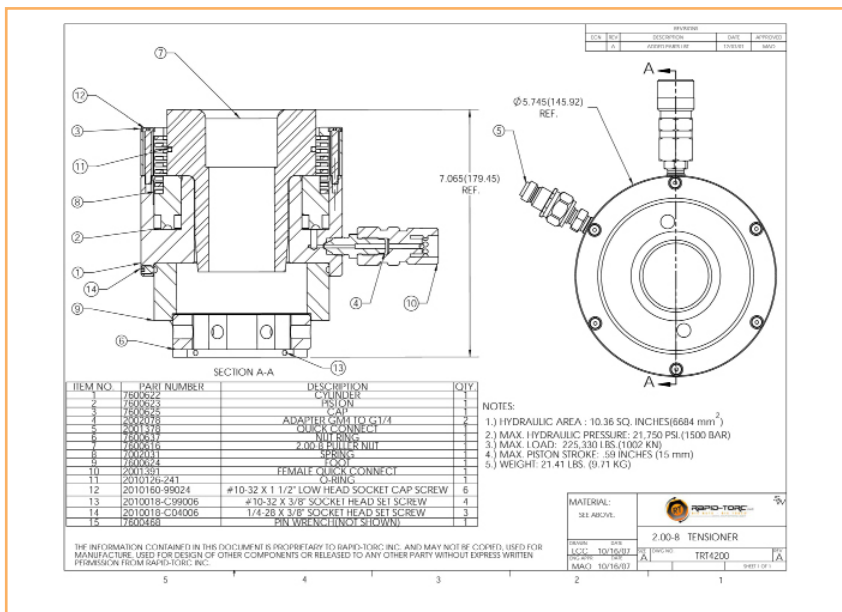
Hydraulic Bolt Tensioner TRT

TRT Tensioners fit all API 6-A Flanges with B7/L7 Studs bolts

Larger sizes includes eye bolts for additional support.



Dual port design allows two time faster operation than single port tensioners.
 Dual Port Design simplifies hose connection. Tee-blocks are no more needed.



Option: Ultrasonic measurement system also available.

Designed with Solidworks® and Cosmoswork® for FEA