



**RAPID-TORC®**

B I G N U T S - B I G T O O L S®  
WWW.RAPIDTORC.COM

PRESENTS

2009 ALL-STARS

LOW PRO SUPERSTAR



RTX SERIES

LOW PROFILE SUPERSTAR

RAPID-TORC is an International Corporation, based in Houston, TX and Brussels, Belgium. Leader in the Bolting market, the company designs, manufactures and distributes high quality hydraulic torque wrenches, bolt tensioners and induction heating systems and delivers value-added technical services to customers worldwide.




## RTX Series features

- Six models from 167 ft-lbs. up to 31,000 ft-lbs.
- Maximum torque value, regardless of hex size
- Repeatability at +/- 1%
- Certified accuracy at +/-3%



**MADE IN THE USA**



**Automatic attachment between powerhead and ratchet link**  
*Time-saving design*

**High strength aluminum post,**  
10k psi working pressure  
*Full operator safety*

**Multi-axis swivel**  
360°X180°, operator can forget about hose placement and concentrate on application

**Innovative coupler placement**  
*Protects housing from possible thread damage*

**AQR51 T6 Aluminum housing**  
*Allows highest power-to-weight ratio in its category*

**In-line reaction pad**  
*Dramatically increases rigidity and strength*

**One-way ratchet mechanism**  
*Allows hands-free operation*

**Amazingly low profile and tight radius**  
*Operator no longer has to switch to a slugging wrench for low clearance areas*

**High strength 4340 steel alloy**  
*Allows us to produce a tool with a very reduced radius while maintaining high strength*

**Available accessories:** Hex Drive, In-out Socket, Hex Insert, Special Pad

ALCO Arm

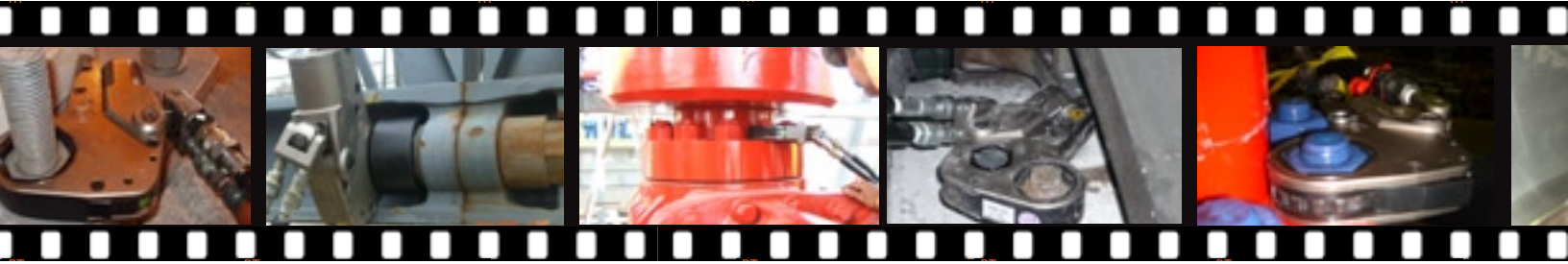


On side reaction pad



Hex inserts





Advantage: One powerhead for different sized links and the greatest size range available.

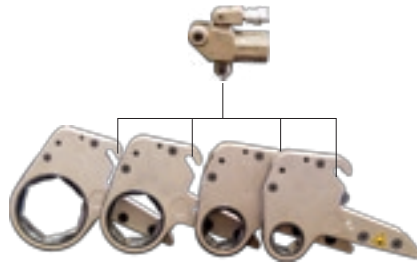
Take advantage of RT Series full potential with these ideally matched products.



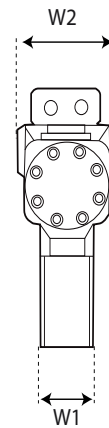
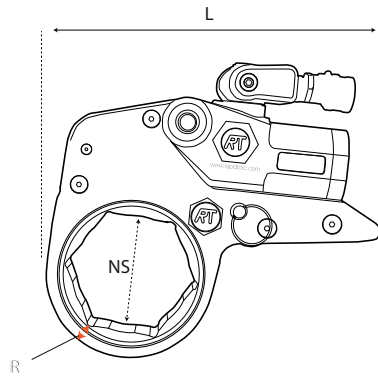
High strength backup wrenches provide the operator with more control and saves time.



Use up to four wrenches at once with our hydraulic power packs. Allows you to work faster and more efficiently.



## RTX Series technical specifications:



Model	Ratchet Link Hex Size		Torque				Weight		Dimensions									
			Ft-lbs		Nm				L		NS		R		W1		W2	
	in	mm	min	max	min	max	lbs	kg	in	mm	in	mm	in	mm	in	mm	in	mm
RTX-2	¾ - 2 ¼	19-65	255	1710	346	2318	4.5	2	7.2	183	¾ - 2 9/16	19-65	0.35	9	1.26	32	1.92	49
RTX-4	1" - 3 1/8	25-85	580	3855	786	5226	9.7	4.4	9.7	248	1 5/16 - 3 1/8	32-80	0.47	12	1.65	42	2.56	65
RTX-8	1 5/8 - 4 1/8	46-105	1143	8151	1549	11049	19.5	9	12.1	308	1 13/16 - 3 7/8	46-100	0.59	15	2.08	53	3.22	82
RTX-14	2 ½ - 5 3/8	60-135	2010	13400	2725	18165	33	15	14.6	372	2 - 4 5/8	50-120	0.72	18.5	2.48	63	3.89	99
RTX-18	3 1/2 - 5 1/2	75-140	2676	17845	3628	24191	51	23	15.5	393	3" - 5 1/2	75-140	.87	22.2	2.75	70	4.37	111
RTX-30	3 ½ - 6 ½	90-165	4770	31800	6466	43108	78	35.5	18	457	3 9/16 - 6 1/8	90-155	1	25.4	3.26	83	5.28	132



**RAPID-TORC, INC**  
715 Bradfield  
Houston, TX 77060  
USA

Phone: (281) 448-5900  
Fax: (281) 260-0779

**RAPID-TORC, S.A.**  
Avenue Louise, 306  
B-1050 Brussel  
Belgium

Tel: +32 2 358 1933  
Fax: +32 2 358 5066

[www.rapidtorc.com](http://www.rapidtorc.com)  
[sos@rapidtorc.com](mailto:sos@rapidtorc.com)