



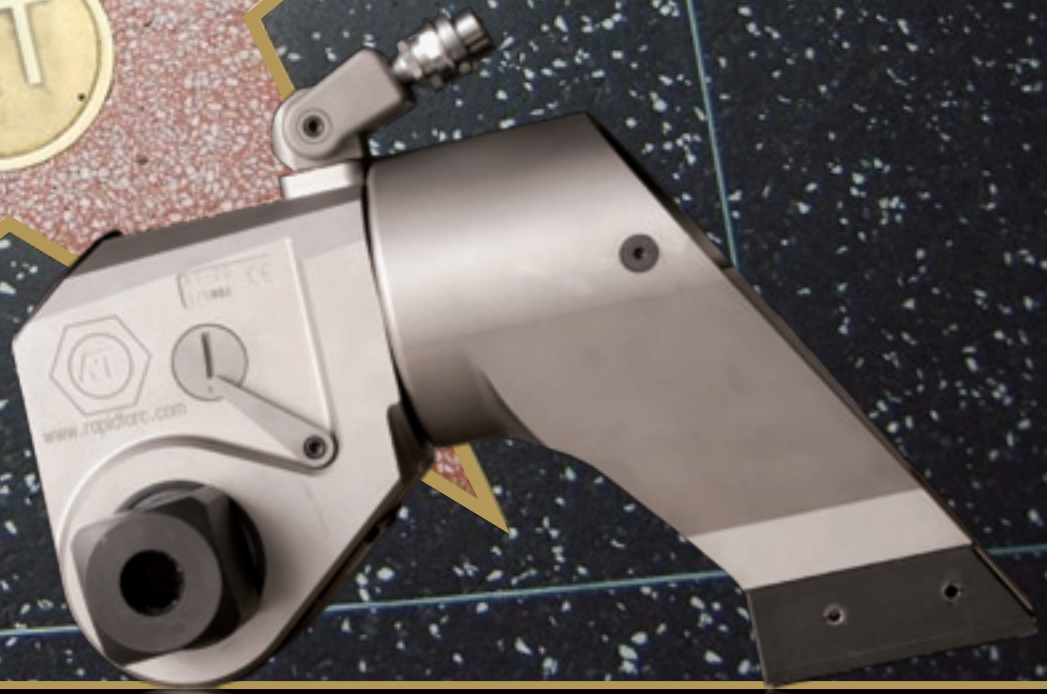
**RAPID-TORC®**

B I G N U T S - B I G T O O L S®  
WWW.RAPIDTORC.COM

PRESENTS

2009 ALL-STARS

TORQUING SUPERHERO



RT SERIES

TORQUING SUPERHERO

RAPID-TORC is an International Corporation, based in Houston, TX and Brussels, Belgium. Leader in the Bolting market, the company designs, manufactures and distributes high quality hydraulic torque wrenches, bolt tensioners and induction heating systems and delivers value-added technical services to customers worldwide.

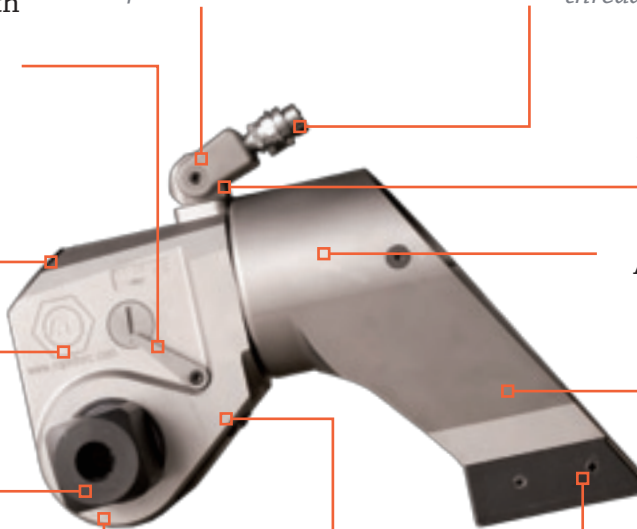


## RT Series features

- 9 models from 55 ft-lbs up to 52,500 ft-lbs
- 5 square drive: 1/2", 3/4", 1", 1 1/2", 2 1/2"
- Output accuracy certified at +/-3% (traceable to NIST)



**MADE IN THE USA**



**One Way Ratchet mechanism with levers**  
*Allows HANDS-FREE operation*

**Spring loaded shroud**  
*Absorbs inertia*

**Robust double-toothed ratchet**  
*Stronger design allows long tool work life*

**Splined square drive**  
*Allows even distribution of the load over the square drive*

**Extremely tight radius**  
*Fits all applications*

**360°X180° Multi-swivel axis**  
*Allows the hoses to adapt to new positions with ease*

**Innovative coupler placement**  
*Protects housing from possible thread damage*

**Heavy-duty 10K psi pressure post**  
*Added safety for the operator*

**AQR51 T6 Aircraft-grade aluminum**  
*Highest power-to-weight ratio in its category*

**Multi-position, adjustable reaction arm**  
*Quickly adjust position for optimal reaction*

**CNC designed housing**  
*Increases strength with durable design*

**Heavy-duty steel boot**  
*Adds strength at the reaction point*

### Available accessories: Step-up Drive, Step-Down Drive

ALCO arm



Reaction sleeve

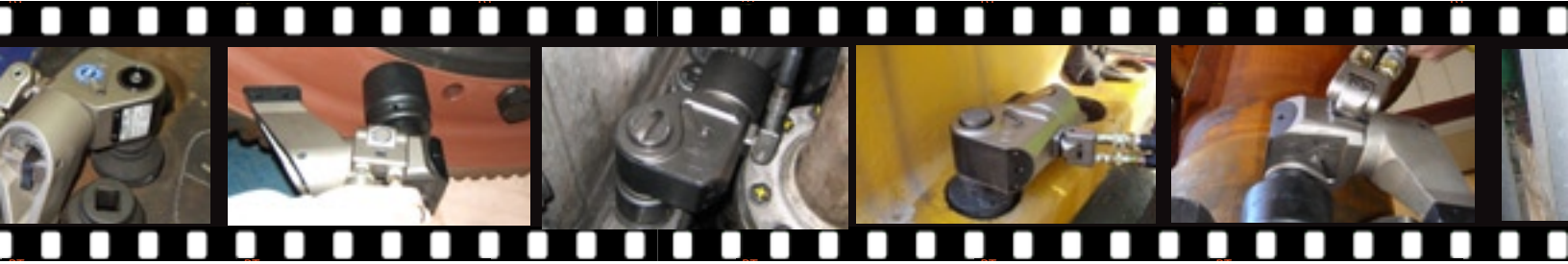


Extended Reaction Arm



CAM reaction arm





## High-strength hex drives for critical applications



Take advantage of RT Series full potential with these ideally matched products.

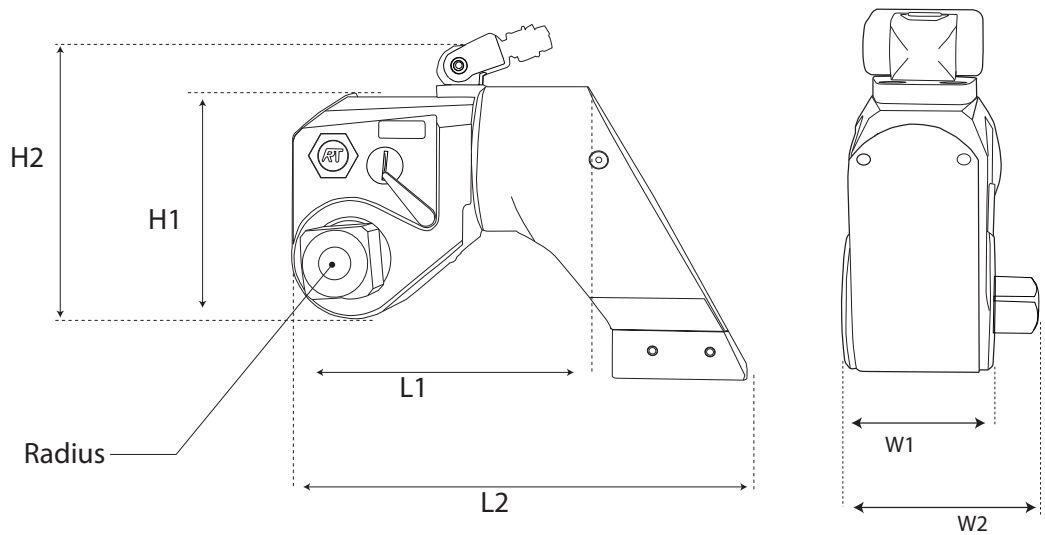


RT's high power requires a strong socket. We have a wide selection for use with the RT.



Use up to four wrenches at once with our hydraulic power packs. Allows you to work faster and more efficiently.

## RT Series technical specifications:



Model	Square Drive	Torque				Weight		Dimensions													
		Ft-lbs		Nm				L1		L2		H1		H2		Radius		W1		W2	
		in	min	max	min	max	lbs	kg	in	mm	in	mm	in	mm	in	mm	in	mm	in	mm	in
RT-5	1/2"	55	397	75	538	0.8	0.4	3.15	81	4.87	125	2.35	60.5	3.62	93	0.52	13.5	1.3	33.5	1.97	50.5
RT-1	3/4"	200	1340	271	1817	3.8	1.9	4.68	120	7.13	183	3.52	90.5	4.75	122	0.9	23	1.95	50	2.76	71
RT-3	1"	480	3230	651	4379	7.8	3.9	6.04	155	9.24	237	4.68	120	6.08	156	1.28	33	2.59	66.5	3.72	95.5
RT-5	1-1/2"	835	5590	1132	7578	15	7.5	7.21	185	11.23	288	5.63	144.5	7.05	181	1.44	37	3.12	80	4.9	126
RT-8	1-1/2"	1200	8000	1627	10845	23	11.5	7.85	202	12.49	321	6.42	164.6	8.4	213.36	1.62	41	3.48	88	4.95	126
RT-10	1-1/2"	1755	11520	2379	15617	26.8	13.4	9	232	13.9	357	7.2	186	9.3	239	1.87	48	3.9	100	5.5	142.5
RT-20	2-1/2"	2960	19760	4013	26787	36	18	10.2	259	16.55	420	8.5	216	9.9	251	2.17	55.11	4.7	119	6.7	170
RT-25	2-1/2"	3960	25890	5368	35096	62	31	12	310	18.4	473	9.1	234	11	282	2.37	61	5.2	134	7.4	191
RT-50	2-1/2"	7875	52500	10675	71169	96	48	15.2	390	23.9	615	11.4	294	13.4	344	30.8	79	6.5	167	8.9	228



**RAPID-TORC, INC**  
715 Bradfield  
Houston, TX 77060  
USA

Phone: (281) 448-5900  
Fax: (281) 260-0779

**RAPID-TORC, S.A.**  
Avenue Louise, 306  
B-1050 Brussel  
Belgium

Tel: +32 2 358 1933  
Fax: +32 2 358 5066

[www.rapidtorc.com](http://www.rapidtorc.com)  
[sos@rapidtorc.com](mailto:sos@rapidtorc.com)