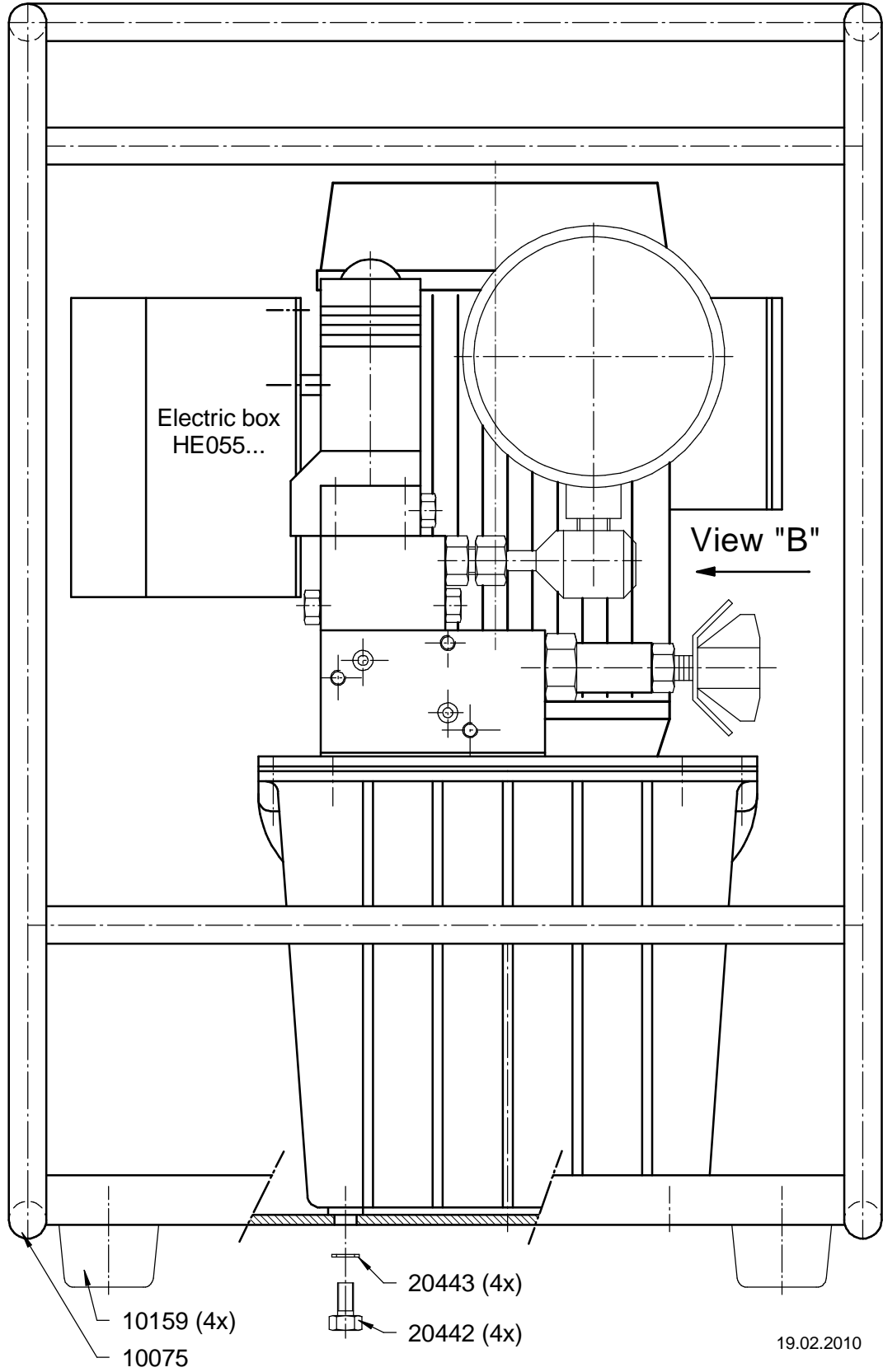
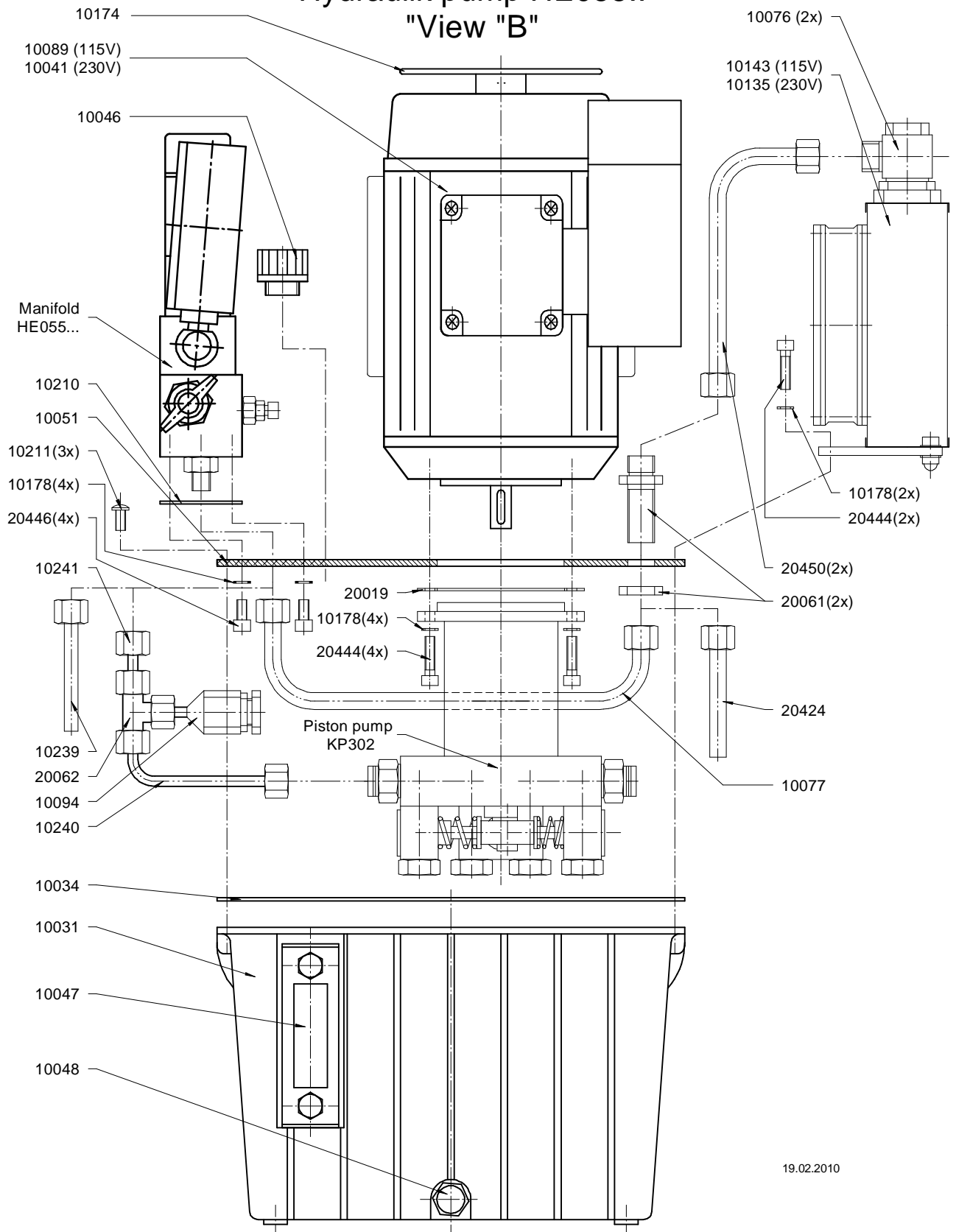


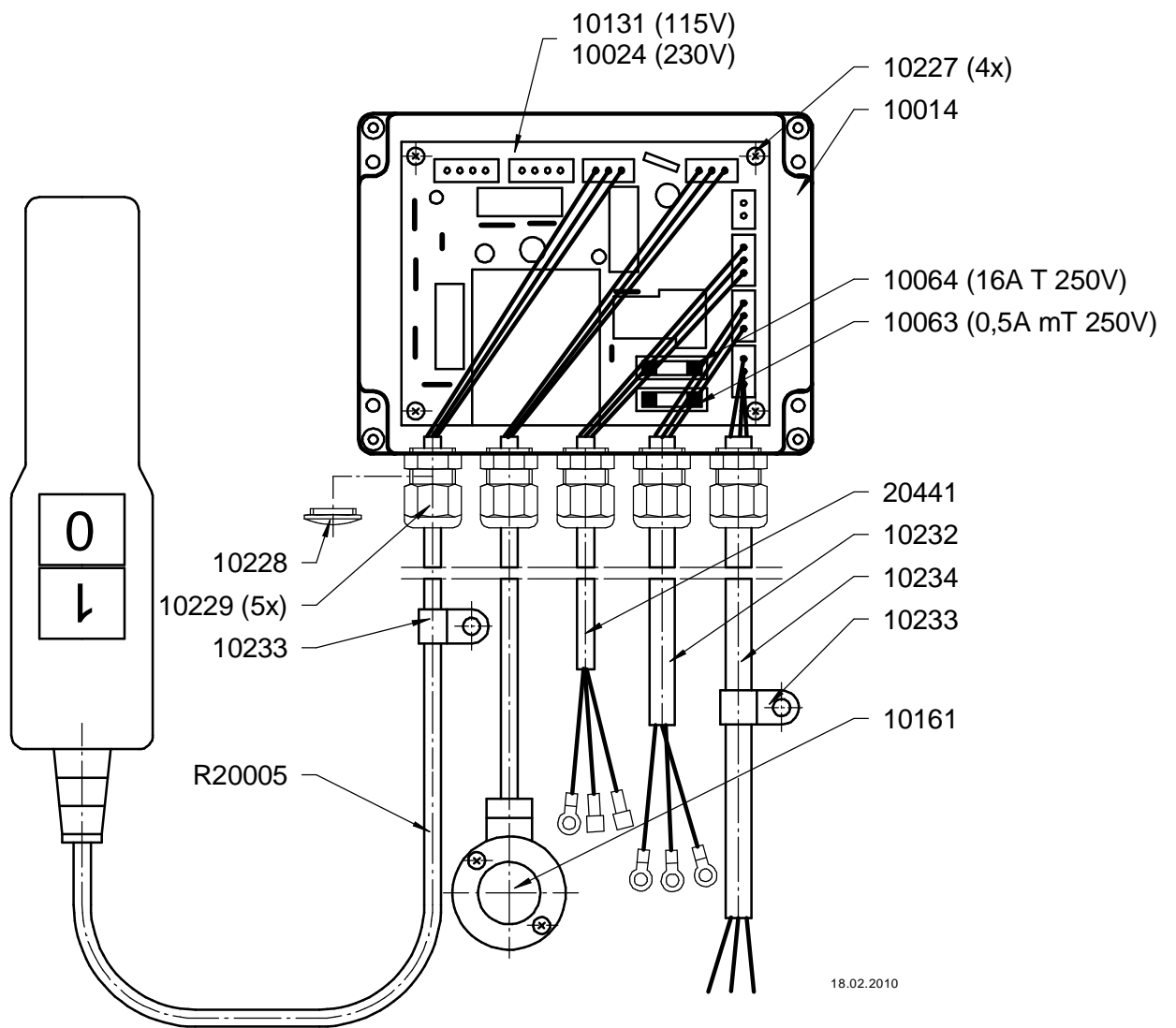
Hydraulic pump HE055...



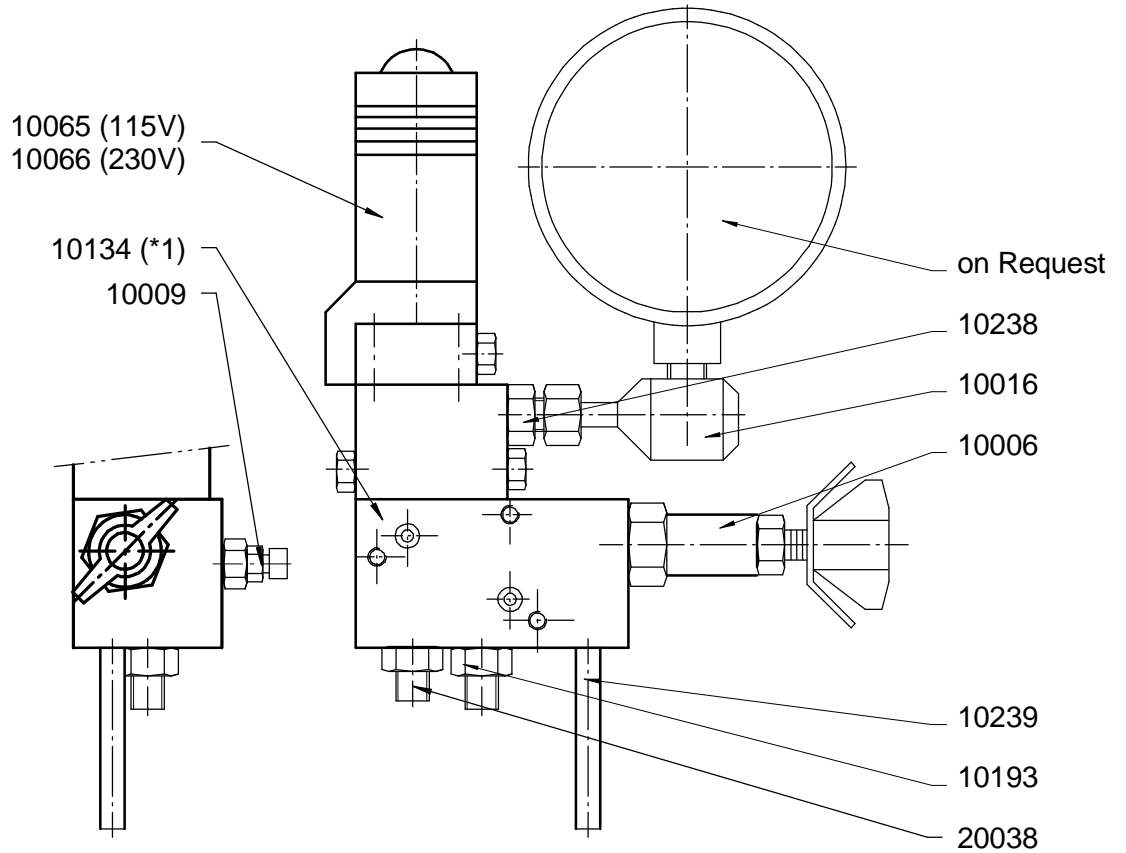
Hydraulik pump HE055.. "View "B"



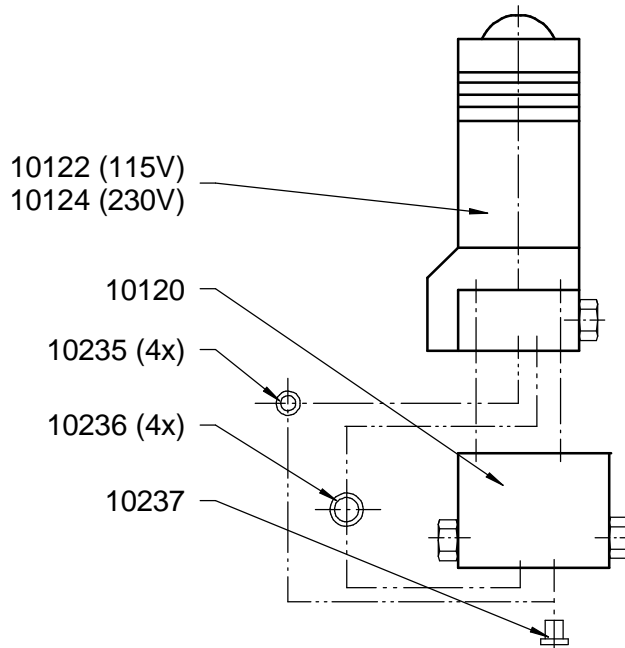
Electric box HE055...



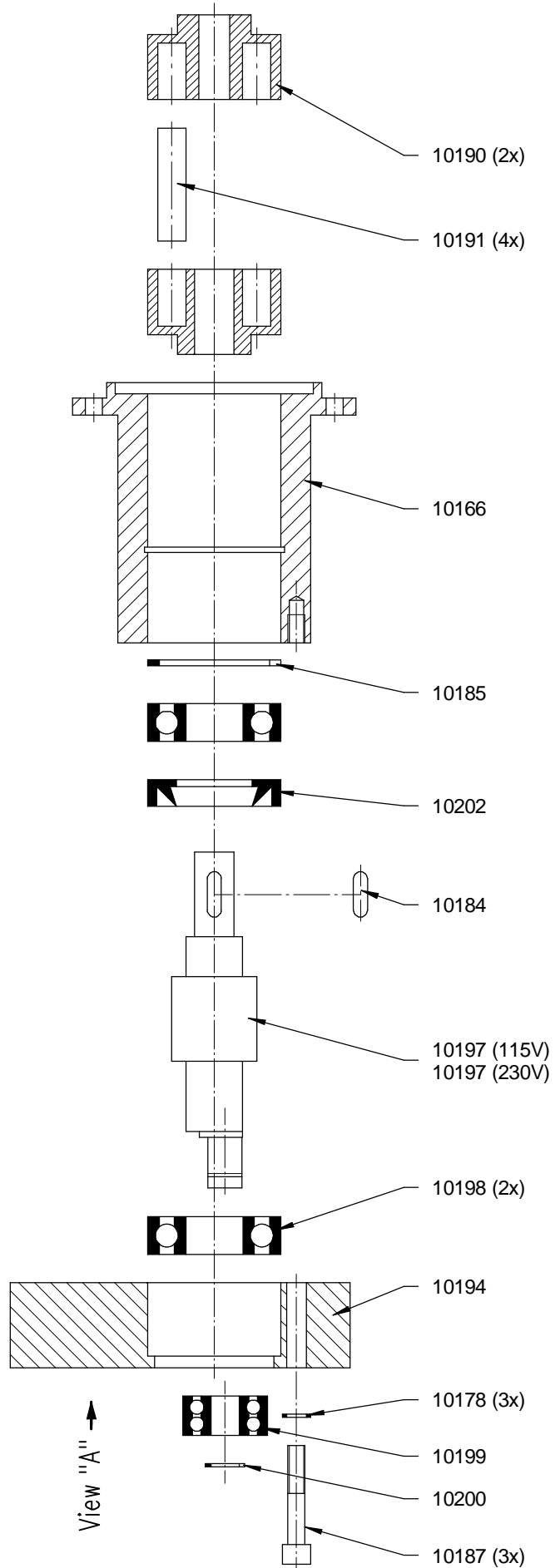
Manifold HE055...



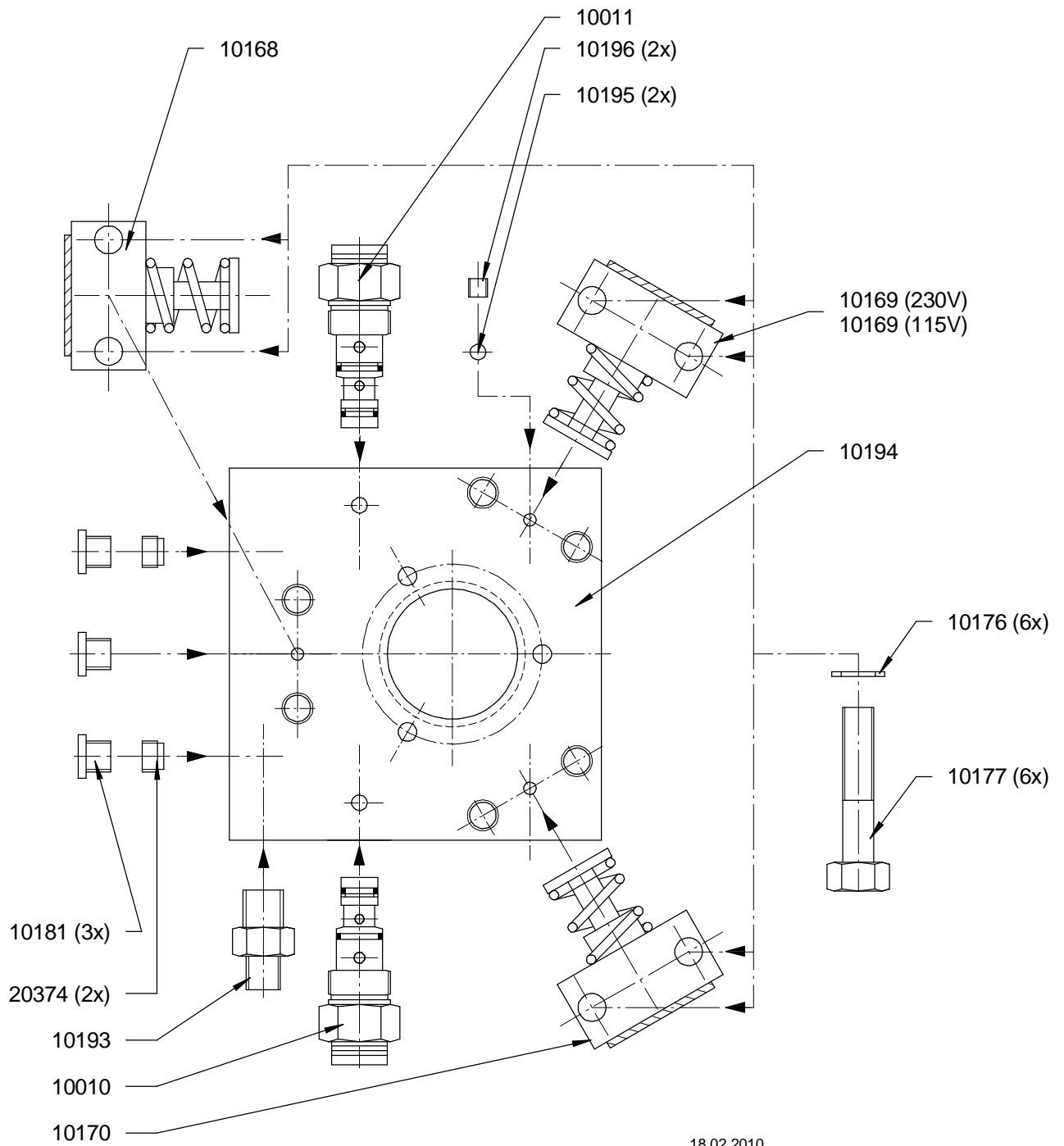
*1 : For direct Coupler connection use 10082



Piston pump KP302...



Piston pump KP302... View "A"



Electric Motors

