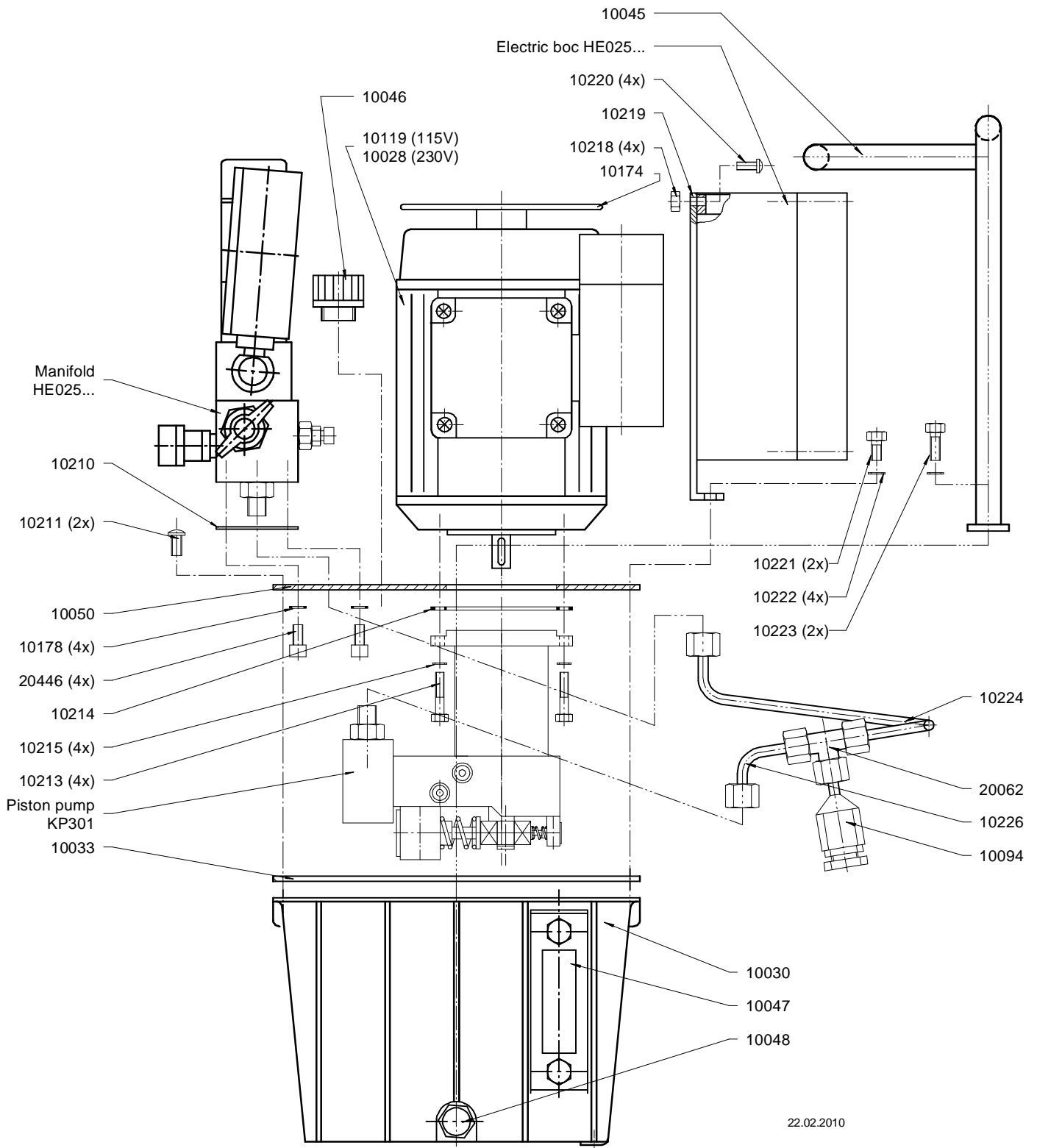
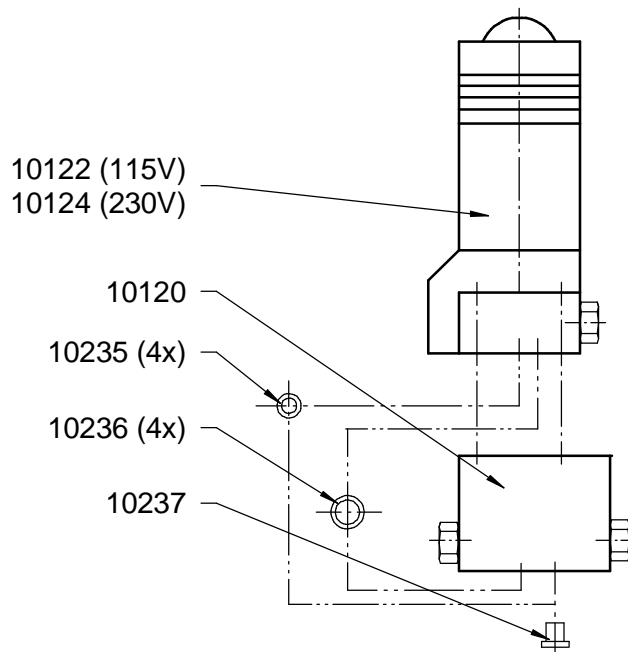
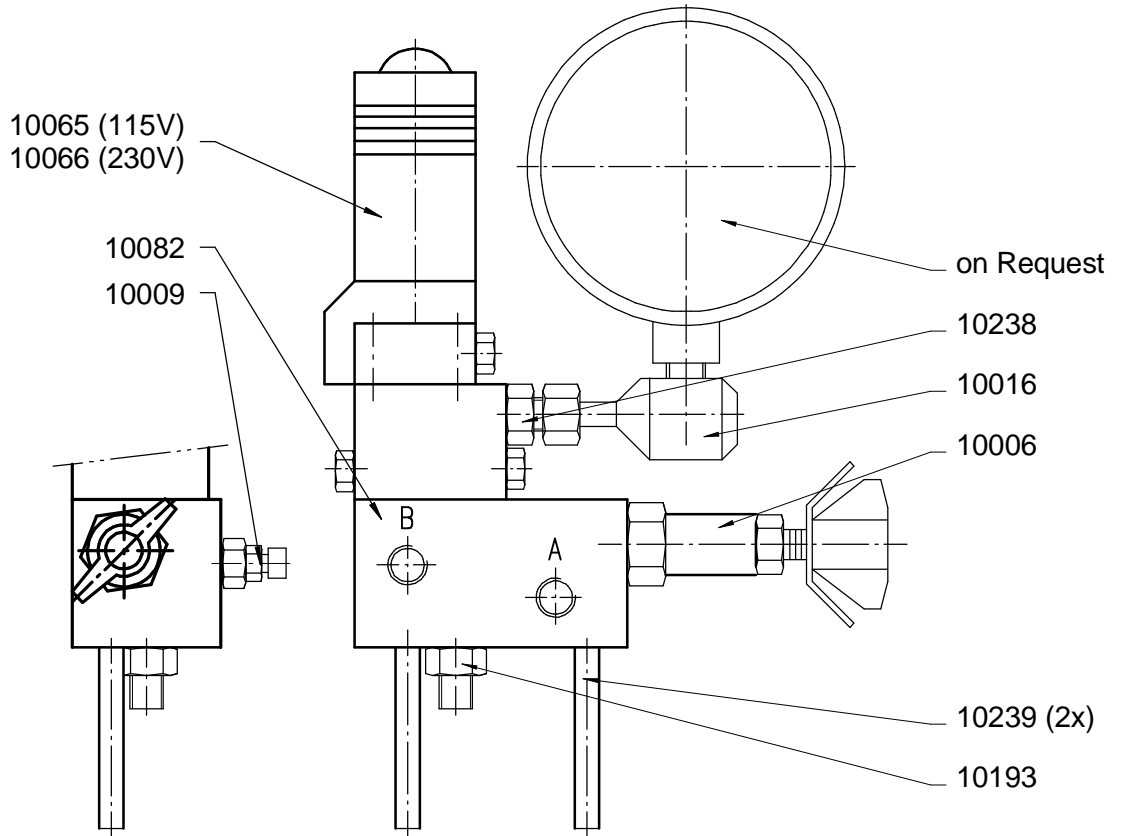


# Hydraulic pump HE025...

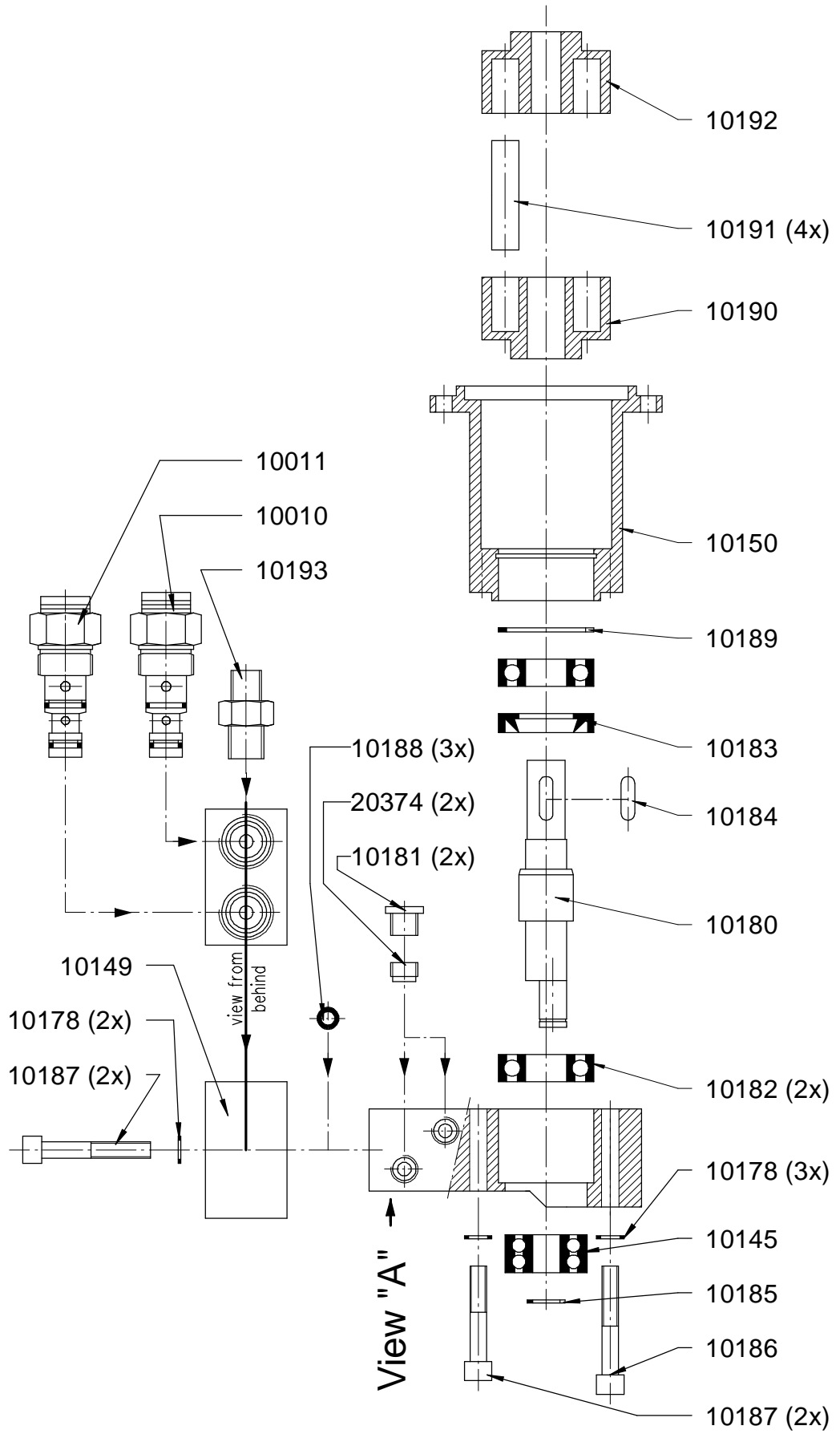




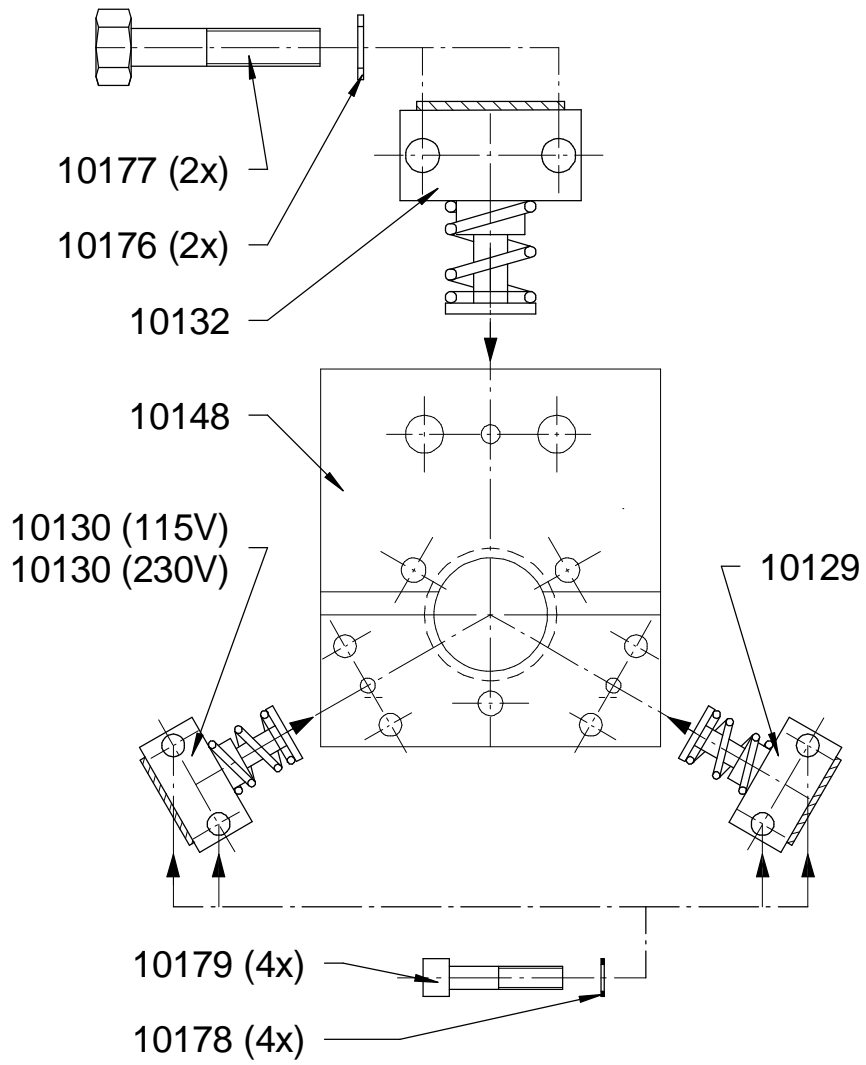
# Manifold HE025...



# Piston pump KP301...

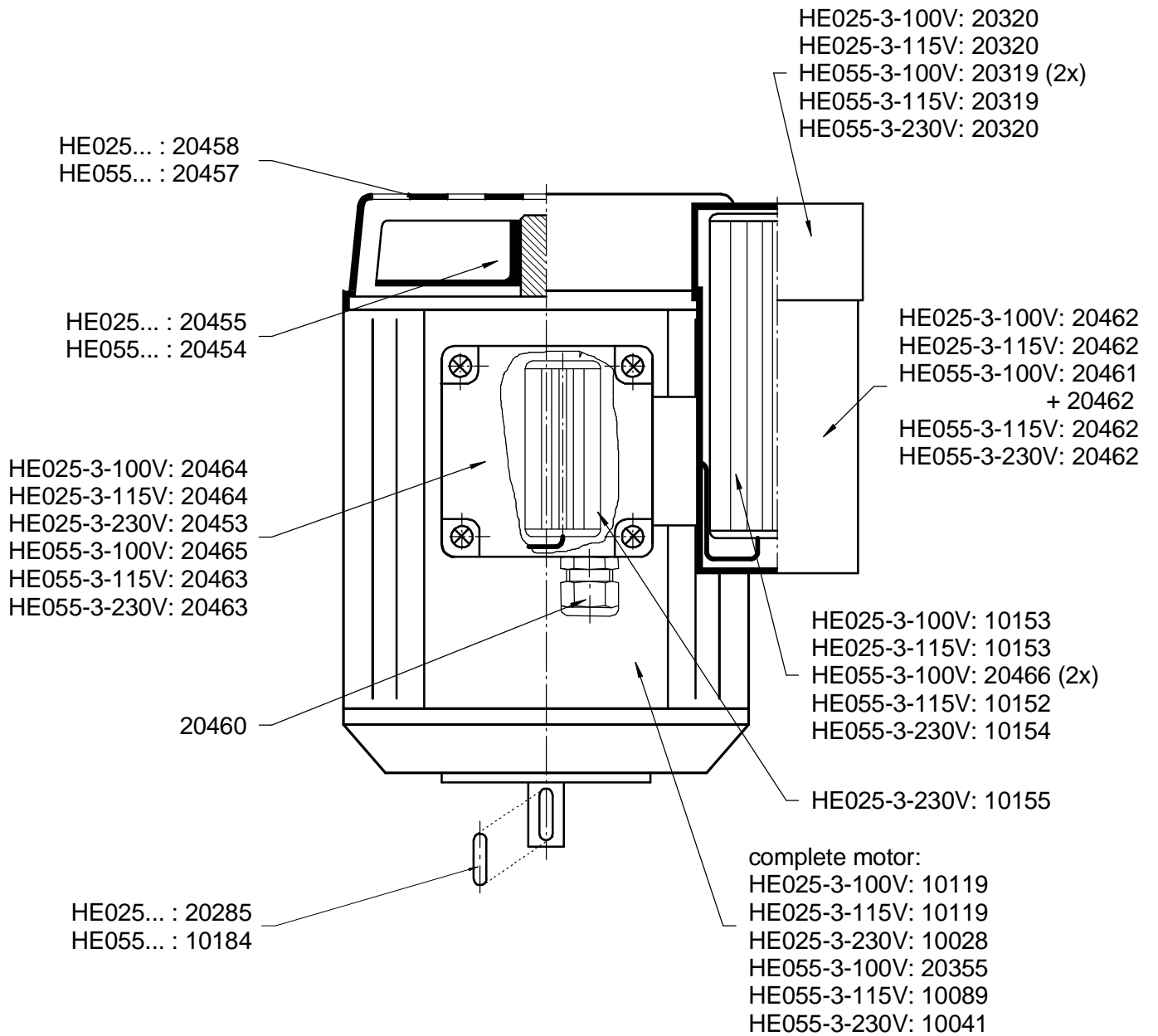


# Piston Pump KP301... View "A"



22.02.2010

# Electric Motors



04.03.2010